

VISAGE EH SERIES

External Housing with Cable Managed Bracket

The Visage External housing is smart and modern in appearance, manufactured in die-cast aluminium and finished in white. This IP67 rated unit benefits from a side-hinged opening design and is supplied complete with a fully cable managed bracket. Available with a choice of heaters (low voltage or mains) with thermostat control, the housings are pre-fitted with a fused internal terminal strip and locking cable entry glands.

A number of mounting accessories are also available, adding to the versatility of the product.



Key Features

- Fully cable managed CCTV camera housing
- Choice of 12Vdc/24Vac or 240vac heater with low power consumption
- Side opening for ease of installation & maintenance
- Internal dimensions 320mm (L) x 110mm (W) x 90mm (H)
- Weatherproof To IP67
- Modern aluminium die-cast design finished in white
- Mounting accessories available including extension arm and pole mount adaptor

Ordering Information

Visage EH12/24	External Housing with fully cable-managed bracket, IP66, 12Vdc/24Vac heater
Visage EH240	External Housing with fully cable-managed bracket, IP66, 240Vac heater
Visage EHEX	Extension Arm for EH Series Housing, 400mm
Visage EHPMA	Pole Mount Adaptor for EH Series Housing
Visage EHCMB	Corner mount bracket for EH Series Housing



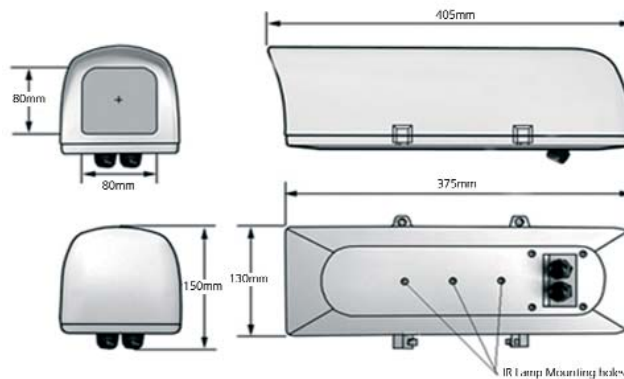
Visage EHEX



Visage EHPMA



Visage EHCMB



Specifications

Model	EH12/24	EH240
Heater	12Vdc(600mA)/24Vac (400mA)	240Vac
Internal Dimensions	320mm (L) x 110mm (W) x 90mm (H)	
Material	Die-cast Aluminium	
Weatherproof Rating	IP67	